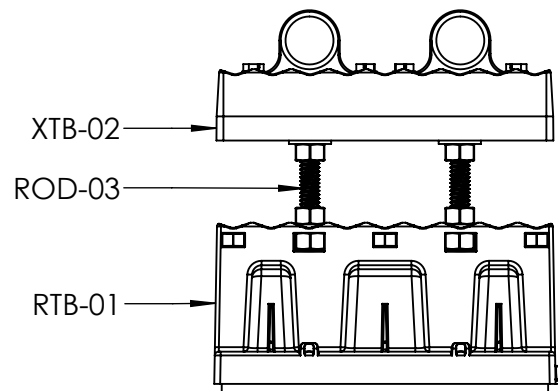
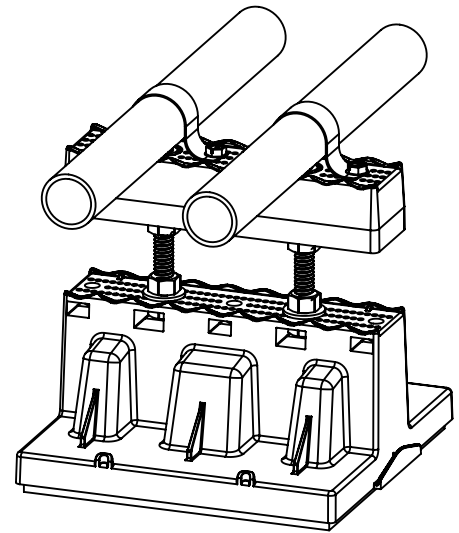
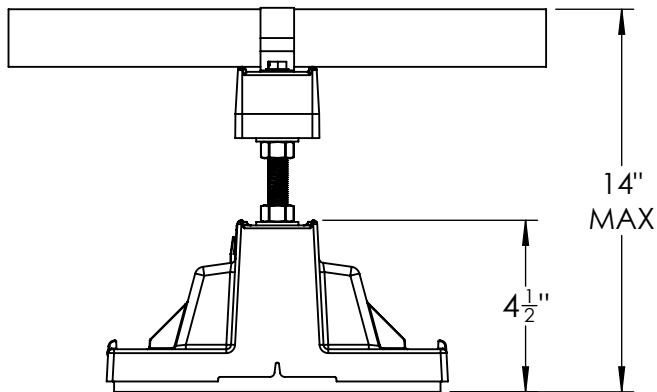
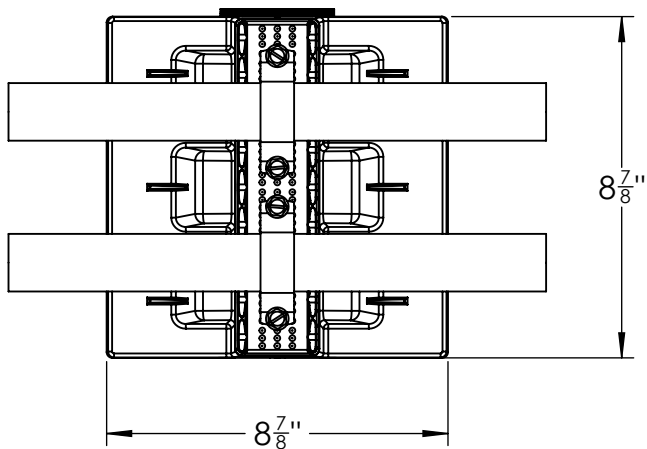


# 022 Roof Top Blox with Elevated Height Accessory

| BILL OF MATERIALS     |                      |       |         |
|-----------------------|----------------------|-------|---------|
| COMPONENT             | PART NUMBER          | QTY.  | JOB QTY |
| Roof Top Blox         | RTB-01               | 1     |         |
| Height Accessory      | XTB-02               | 1     |         |
| 1/2" Threaded Rod     | Included with ROD-03 | 1 Set |         |
| 1/2" Nuts             | Included with ROD-03 | 8     |         |
| 1/2" Washers          | Included with ROD-03 | 4     |         |
| Pipe Clamps           | By Contractor        | 2     |         |
| #10 Sheet Metal Screw | By Contractor        | 4     |         |



Job:  
Date: Rev:  
Engineer:  
Rep/Distributor:

**Specification:**  
Roof top support blocks for gas piping, plumbing, HVAC, conduit, cable tray, and mechanical equipment shall be **Roof Top Blox (RTB-01)**. The support BLOX must be designed to eliminate roof penetrations, flashings or damage to roofing membrane. Support top surface shall be made of recycled UV-resistant Polypropylene Copolymer. Base platform material shall be 1" thick, 25psi, type 4 closed cell structural foam to distribute and evenly cushion loads. Support top surface shall have molded in pipe organizing saddles and strut mounting cradle. The top surface shall also have screw guide indents and engineered internal screw thread gripping feature. BLOX must accept 3/8" and 1/2" threaded rods (ROD-03) using side-entry nut slots to allow fast top side assembly and piping height adjustments. Aluminum rollers (ROL-05 or ROL-06) shall be installed on long piping runs. Securing brackets (SCB-07) and adhesive (ADH-12) recommended for permanently securing BLOX into its final installed position, anchoring against wind, rain and snow loads.

1. Remove all loose gravel under Roof Top Blox base
2. Space Blox every 7' along piping system
3. Install piping system low on Blox for best stability
4. Maximum 14" overall piping height on single Blox
5. Use rollers on long pipe runs for thermal expansion
6. Maximum temperature rating is 200F/93C
7. Use 15ft-lb max torque and Loctite on Blox jamb nuts
8. Use SCB-07 Brackets to secure Blox in final position
9. Check membrane Mfg. and adhesive compatibility
10. Check local codes and regulations prior to installation
11. XTB-02 is not to be installed under any ROL-05 or ROL-06 roller applications

Model RTB-01

**Roof Top<sup>®</sup> BLOX**  
Adjustable Piping Support  
US PAT. 7,731,131 CAN. PAT. 2,675,158

RTB-01 w/ XTB-02 Elevated

Max Load Per Blox:  
XTB-02 Elevated on Rods : 100 lb/45 kg  
XTB-02 Mounted on BLOX : 100 lb/45 kg

P: (860) 979-0345 www.rooftopblox.com  
F: (860) 871-9218 info@rooftopblox.com